

EURODRAIN-KESSEL

"PUSH - FIT"
PIPES & FITTINGS
PRODUCT PRICELIST

NEW EURODRAIN - KESSEL RANGE

DATE: 01.03.2024

ALL EURODRAIN TECHNOLOGY TERMS
AND CONDITIONS APPLY

Trade discount upon request

EDT eurodrain
technology

 **KESSEL**



info@eurodrain.com
gustav.smit@eurodrain.com



011 659 8069



083 770 2269 / 072 238 0579



www.eurodrain.co.za
&
www.kessel.com

Physical Address

Unit 1 Lanseria Center
Pelindaba Road (R512)
Lanseria, 1739
Gauteng
South Africa



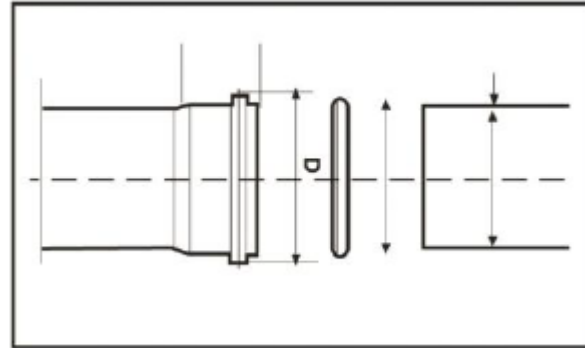
KESSEL

PP Push-fit Drainage Systems

 **KESSEL**



KESSEL "PUSH-FIT" PIPES WITH SOCKET



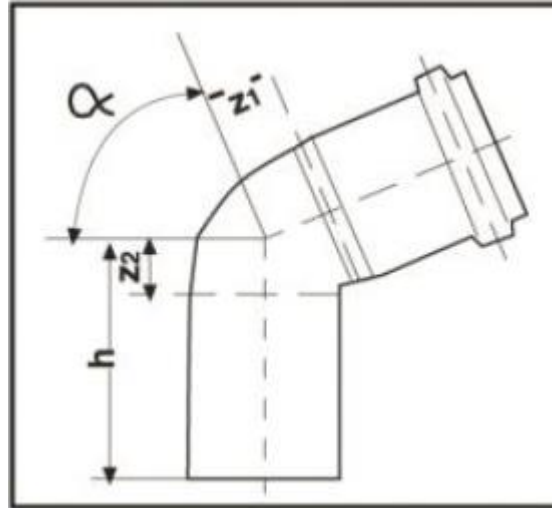
RECOMMENDED

SELLING PRICE

Excl. VAT

Item Code	Diameter	Length	
EDT332020001	Ø 50	3.000mm	R 119.63
EDT332020002	Ø 75	3.000mm	R 189.21
EDT332020003	Ø 110	3.000mm	R 387.33
EDT332020005	Ø 160	3.000mm	R 801.40

KESSEL "PUSH-FIT" 45° BEND WITH SOCKET



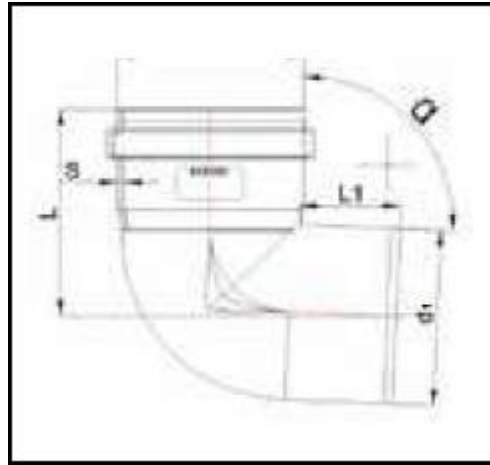
RECOMMENDED

SELLING PRICE

Excl. VAT

Item Code	Diameter	
EDT352010002	Ø 50	R 15.81
EDT352010003	Ø 75	R 26.29
EDT352010004	Ø 110	R 47.88
EDT352010005	Ø 160	R 150.99

KESSEL "PUSH-FIT" 87.5° BEND WITH SOCKET



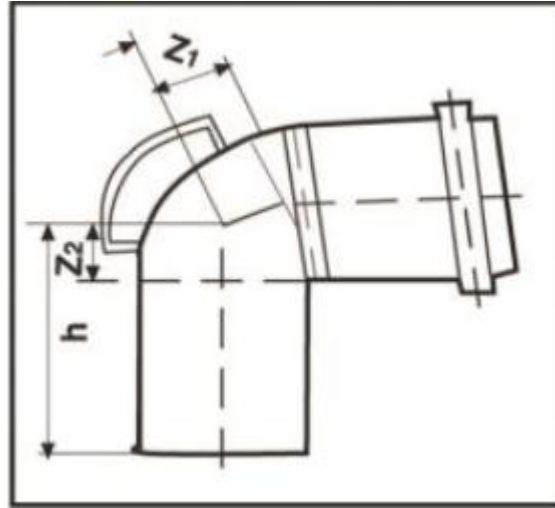
RECOMMENDED

SELLING PRICE

Excl. VAT

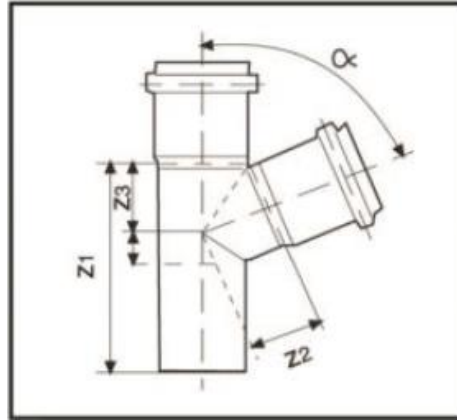
Item Code	Diameter	
EDT352020002	Ø 50	R 16.95
EDT352020003	Ø 75	R 30.19
EDT352020004	Ø 110	R 64.39
EDT352020005	Ø 160	R 175.78

KESSEL "PUSH-FIT" BEND WITH INSPECTION ACCESS



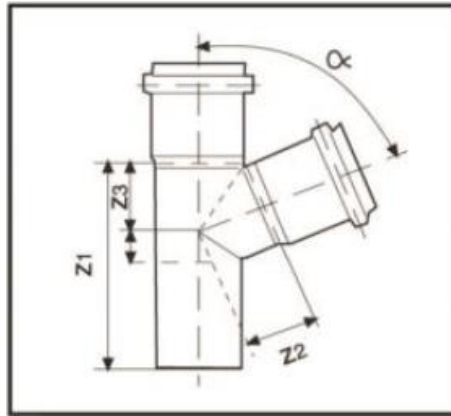
		RECOMMENDED
		SELLING PRICE
		Excl. VAT
Item Code	Diameter	
EDT352030003	Ø 110	R 90.50

KESSEL "PUSH-FIT" 45° BRANCH TEE



		RECOMMENDED
		SELLING PRICE
		Excl. VAT
Item Code	Diameter	
EDT352040003	Ø 50 / 50	R 30.08
EDT352040005	Ø 75 / 50	R 43.24
EDT352040006	Ø 75 / 75	R 47.42
EDT352040007	Ø 110 / 50	R 70.27
EDT352040008	Ø 110 / 75	R 83.28
EDT352040009	Ø 110 / 110	R 112.37
EDT352040013	Ø 160 / 110	R 227.16
EDT352040011	Ø 160 / 160	R 335.91

KESSEL "PUSH-FIT" 87.5° BRANCH TEE



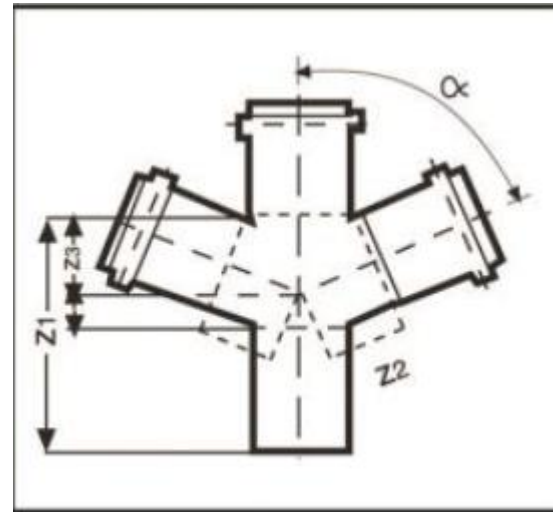
RECOMMENDED

SELLING PRICE

Excl. VAT

Item Code	Diameter	
EDT352050003	Ø 50 / 50	R 28.82
EDT352050005	Ø 75 / 50	R 39.45
EDT352050006	Ø 75 / 75	R 45.30
EDT352050007	Ø 110 / 50	R 56.13
EDT352050008	Ø 110 / 75	R 69.71
EDT352050009	Ø 110 / 110	R 81.05
EDT352050012	Ø 160 / 110	R 200.69
EDT352050010	Ø 160 / 160	R 263.23

KESSEL "PUSH-FIT" DOUBLE BRANCH SOCKET



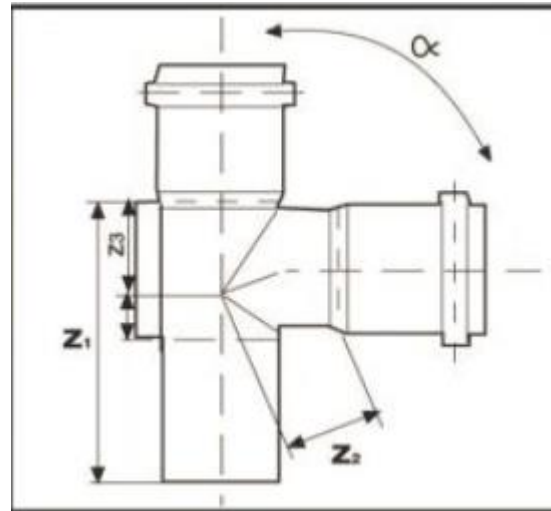
RECOMMENDED

SELLING PRICE

Excl. VAT

Item Code	Diameter	
EDT352070002	Ø 75 / 75 / 75	R 66.83
EDT352070004	Ø 110 / 110 / 110	R 146.68

KESSEL "PUSH-FIT" BRANCH WITH INSPECTION



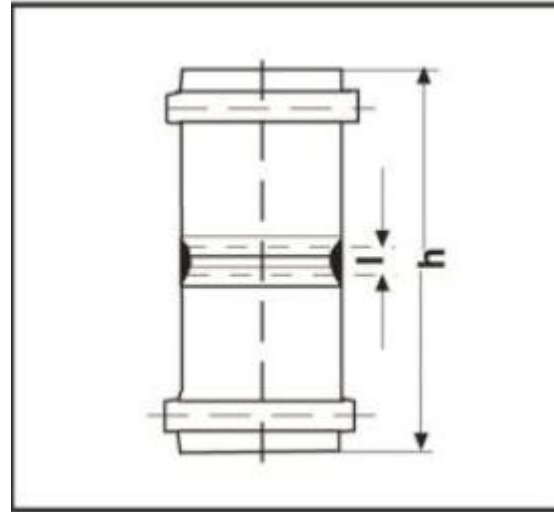
RECOMMENDED

SELLING PRICE

Excl. VAT

Item Code	Diameter	
EDT352060001	Ø 110 / 50	R 103.90
EDT352060002	Ø 110 / 110	R 122.68

KESSEL "PUSH-FIT" DOUBLE SOCKET



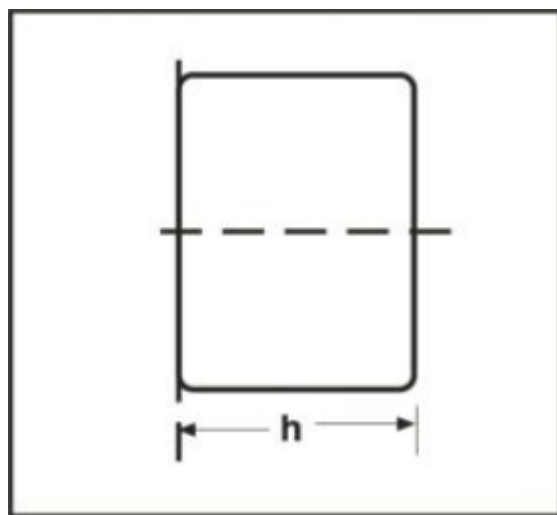
RECOMMENDED

SELLING PRICE

Excl. VAT

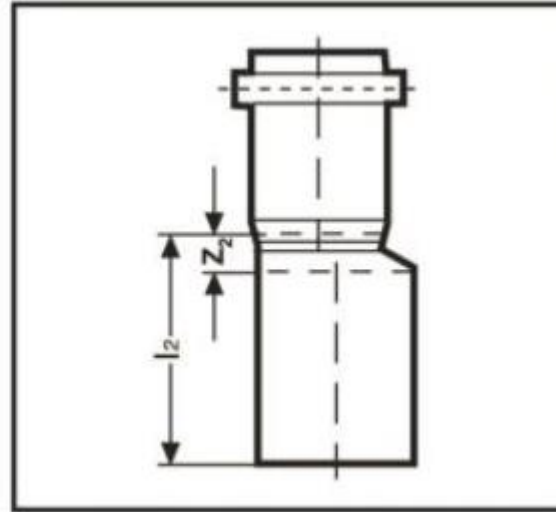
Item Code	Diameter	
EDT352080002	Ø 50	R 17.48
EDT352080003	Ø 75	R 24.17
EDT352080004	Ø 110	R 55.67
EDT352080005	Ø 160	R 166.62

KESSEL "PUSH-FIT" END CAP



		RECOMMENDED
		SELLING PRICE
		Excl. VAT
Item Code	Diameter	
EDT352091002	Ø 50	R 4.23
EDT352091003	Ø 75	R 4.99
EDT352091004	Ø 110	R 12.31

KESSEL "REDUCER"



RECOMMENDED

SELLING PRICE

Excl. VAT

Item Code	Diameter	
EDT352092002	Ø 75 / 50	R 20.91
EDT352092003	Ø 110 / 50	R 30.52
EDT352092004	Ø 110 / 75	R 32.93
EDT352092005	Ø 160 / 110	R 98.23

Contact Details:

Purchase Orders

Gustav Smit gustav.smit@eurodrain.com
Immanuel Rost info@eurodrain.com
Telephone 011 701 2201 / 011 659 8069

Technical Assistance

HEAD OFFICE

Gustav Smit gustav.smit@eurodrain.com
Telephone 011 659 8069

Accounts

Christelle Schutte accounts@eurodrain.com
Telephone 011 701 2223

Prices Valid Until 30.04.2024 Or until stock last.
All EuroDrain Technology (Pty.) Ltd. Terms and conditions Apply. E & OE



info@eurodrain.com
gustav.smit@eurodrain.com



011 659 8069



083 770 2269 / 072 238 0579



www.eurodrain.co.za



Unit 1 Lanseria Center
Pelindaba Road (R512)
Lanseria, 1739
Gauteng
South Africa



EDT eurodrain
technology

KESSEL



info@eurodrain.com
gustav.smit@eurodrain.com



011 659 8069



083 770 2269 / 072 238 0579



www.eurodrain.co.za



Unit 1 Lanseria Center
Pelindaba Road (R512)
Lanseria, 1739
Gauteng
South Africa

1 Backwater Valves



2 Lifting Stations



3 Drains/Channels



4 Separators



5 Wastewater Treatment Solution



6 Individual Solution

