

# FLOOR DRAINS PRODUCT PRICE LIST

\*NEW EURODRAIN - KESSEL 2025  
PRODUCT "BH100" RANGE

DATE: 10.01.2025

PRICES VALID UNTIL FURTHER NOTICE.

OR UNTIL STOCK LAST.

TERMS AND CONDITIONS APPLY

Trade discount upon request

**EDT** eurodrain  
technology

**KESSEL**



info@eurodrain.com  
gustav.smit@eurodrain.com



011 659 8069



083 770 2269 / 072 238 0579



www.eurodrain.co.za

## Physical Address

Unit 1 Lanseria Center  
Pelindaba Road (R512)  
Lanseria, 1739  
Gauteng  
South Africa

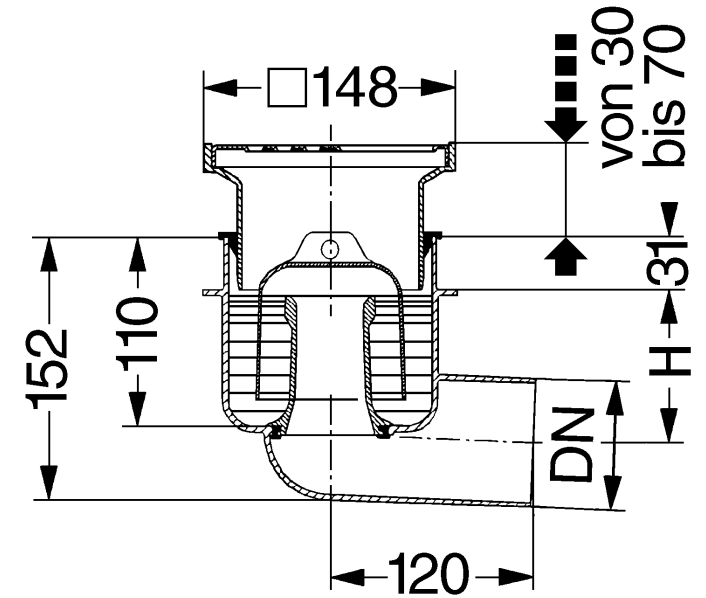
## EDT SYSTEM100 "PRACTICUS"

- EDT Drain body with horizontal outlet, Stainless steel grid
- Ø 75 - ART# 46 170.15
- Ø 110 - ART# 46 110.15

■ *Practicus* with connection flange in PP, with odour trap.  
Drainage capacity in 1.8 l/sec

Sealing water height 75 mm

Upper section in ABS Slotted cover  
138 × 138 mm in stainless steel AISI  
304, class K 3 (300Kg).



**\*RECOMMENDED**

**SELLING PRICE**

Excl. VAT

Outlet / DN	Item Code		
	Horizontal Outlet	Vertical Outlet	
Ø 75	ART# 46 170.15	ART# 46 270.15	R 1.356,04
Ø 110	ART# 46 110.15	ART# 46 210.15	R 1.438.81

## EDT SYSTEM100 "PRACTICUS"

- EDT Drain body with horizontal outlet, with Ø 50 side inlet, Stainless steel grid

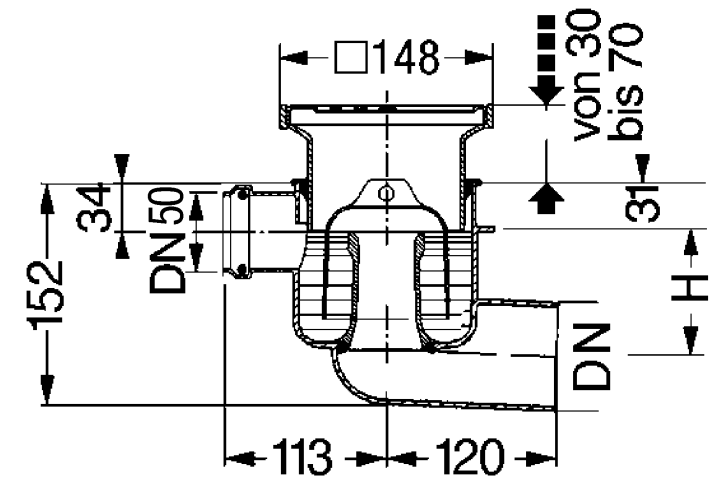
- Ø 75 - ART# 46 570.15

- Ø 110 - ART# 46 510.15

- Practicus* with connection flange in PP, with odour trap. Drainage capacity in 1.8 l/sec

Sealing water height 75 mm

Upper section in ABS Slotted cover 138 × 138 mm in stainless steel AISI 304, class K 3 (300kg).



**\*RECOMMENDED**

**SELLING PRICE**

Excl. VAT

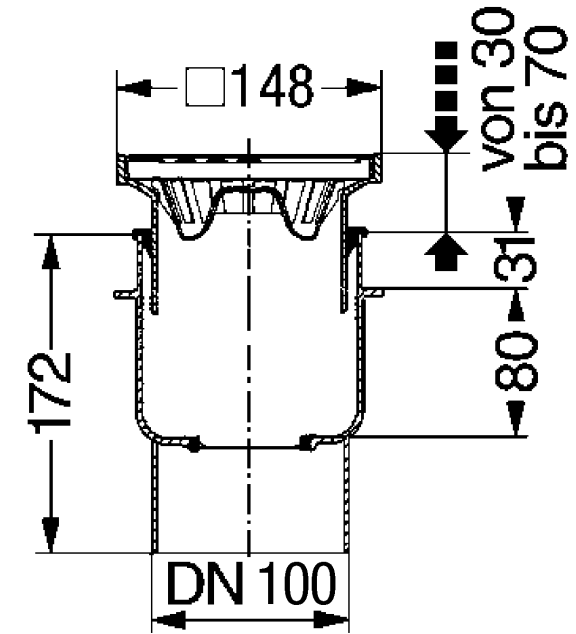
Outlet / DN	Item Code	
Ø 75	ART# 46 570.15	R 1.483,37
Ø 110	ART# 46 510.15	R 1.496,92

## EDT SYSTEM100 "PRACTICUS"

- EDT Drain body with Vertical outlet, with Grey ABS grid
- Ø 75 - ART# 46 271.40
- Ø 110 - ART# 46 211.40

■ *Practicus* with connection flange in PP, without odour trap.  
Drainage capacity in 2 l/sec

With upper section in ABS  
slotted cover 138 × 138 mm in ABS,  
Grey, class K 3 (300Kg).



**\*RECOMMENDED**

**SELLING PRICE**

Excl. VAT

Outlet / DN	Item Code Horizontal	Item Code Vertical	
Ø 75	ART# 46 171.40	ART# 46 271.40	R 560.38
Ø 110	ART# 46 111.40	ART# 46 211.40	R 667.54

## EDT SYSTEM100 "PRACTICUS"

- EDT Drain body Vertical outlet  $\varnothing$  75 /  $\varnothing$  110 , with  $\varnothing$  50 side inlet, Stainless steel grid

- Vertical Outlet:**

- $\varnothing$  75 - ART# 41 110.11

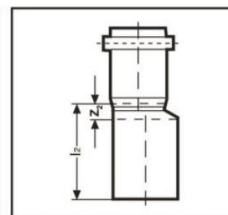
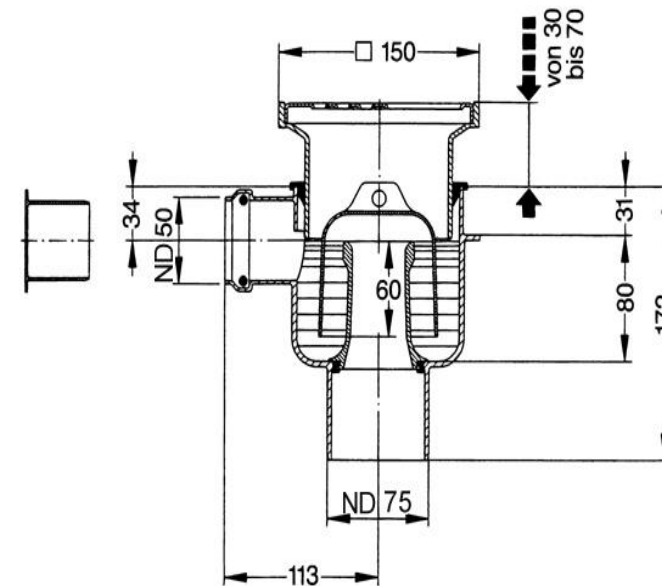
- $\varnothing$  110 - ART# 41 130.11

- ART# 41 130.11 comes with 75/110mm Push-Fit Extender

- Practicus* with connection flange in PP, with odour trap. Drainage capacity in 1.8 l/sec.

- Sealing water height 75 mm

Upper section in ABS Slotted cover 138 x 138 mm in stainless steel AISI 304, class K 3 (300Kg), screwed.



75 / 110mm Extender

**\*RECOMMENDED**

**SELLING PRICE**

Excl. VAT

Outlet / DN	Item Code	
$\varnothing$ 75	ART# 41 110.11	R 1.429,26
$\varnothing$ 110	ART# 41 130.11	R 1.469,27

# EDT SYSTEM100 "ALRONDO"

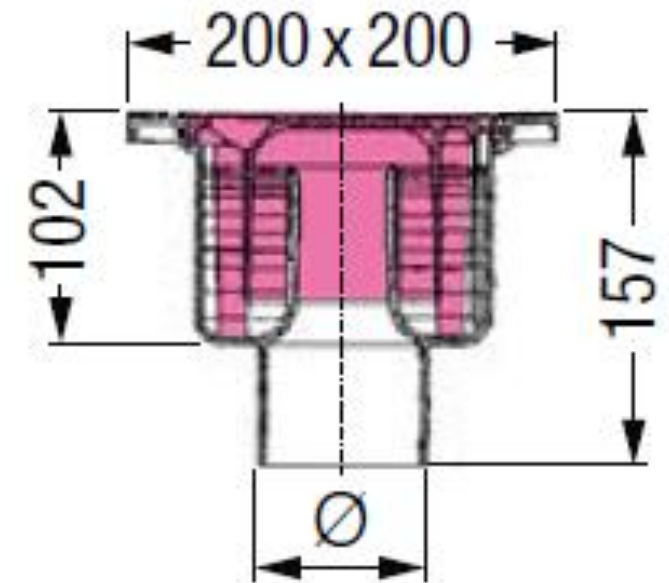
■ EDT drain "Alrondo", cover plate 200x200, Ø 110, GREY colour

■ **Vertical Outlet:**

- Ø 75 - ART# 37 284
- Ø 110 - ART# 37 287

■ Made of polymer  
Vertical outlet, with integrated odour trap.  
Drainage capacity 1.6 l/sec flow rate  
Cover plate 200 × 200 mm

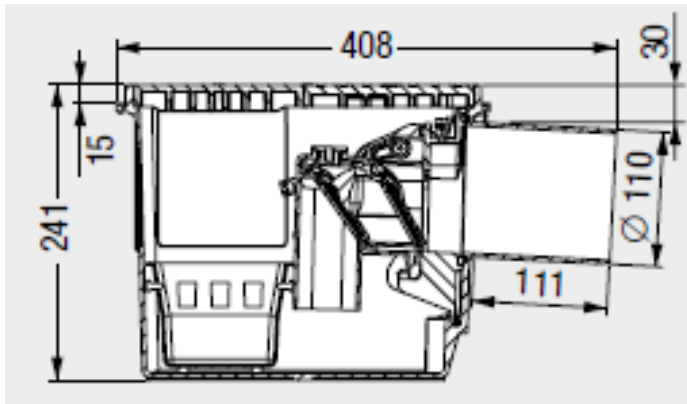
■ Sealing water height 75 mm  
Cover:  
Round slotted cover Ø 140 mm,  
screwed, can be driven over by  
vehicles of up to 1 ton (1,000Kg).



		<b>*RECOMMENDED</b>
		<b>SELLING PRICE</b>
		Excl. VAT
<b>Outlet / DN</b>	<b>Item Code</b>	
Ø 75	ART# 37 284	R 788.05
Ø 110	ART# 37 287	R 906.02

# EDT "UNIVA" GULLY, FLOOR & YARD DRAIN

- EDT "UNIVA" drain with twin flap backwater valve
- **Horizontal Outlet:**
- Ø 110 - ART# 27 300
- 3 x 50/75mm INLETS POSSIBLE
- Made in ABS, With lateral outlet 2.5°, with removeable twin flap backwater valve and emergency closure which can be locked by hand, odour trap and sludge trap and integrated, height adjustable upper section. Drainage capacity 1.8 l/sec flow rate.
- **Cover:**  
Slotted cover made in polymer, black, class K 3 (300Kg)



	<b>*RECOMMENDED</b>
	<b>SELLING PRICE</b>
	Excl. VAT
<b>Item Code</b>	
ART# 27 300	R 2.006,68

# EDT "STAUFIX"

## SEWER NON-RETURN VALVE

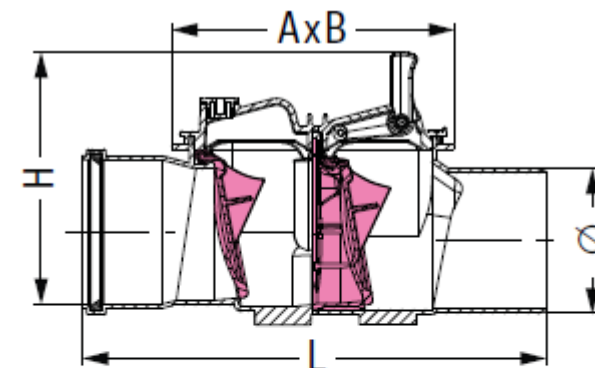
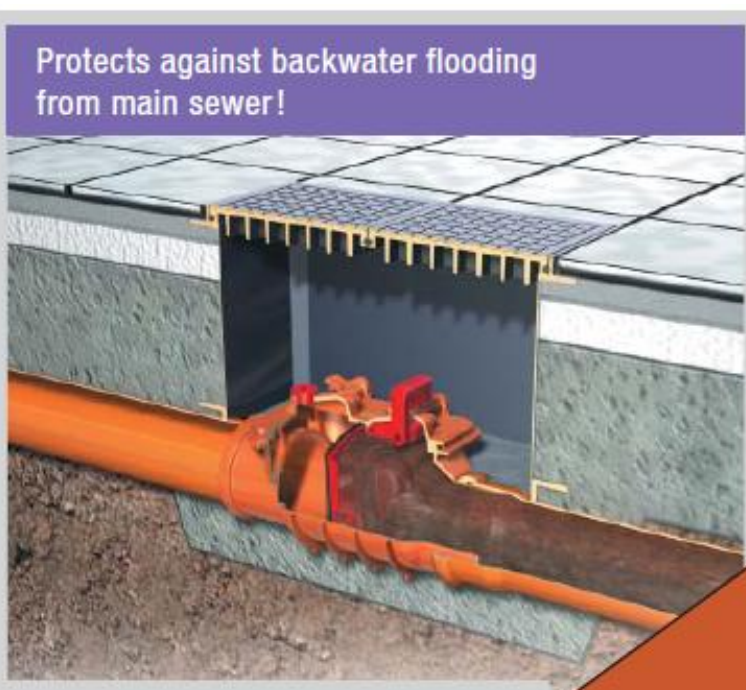
- EDT Double flap backwater valve *Staufix Basic*

- Ø 110 - ART# 73 100

- Made of polymer

Self-closing flap, can be locked by hand as an emergency closure.

Inlet/outlet for connection to PVC pipe, according to EN 1566-1.



Outer diameter Ø (mm)	L × H in mm	A × B in mm
Ø 110	355 × 180 + 25	205 × 155

**\*RECOMMENDED**

**SELLING PRICE**

Excl. VAT

**Item Code**

ART# 73 100

R 1.967,87



## Contact Details:

### Purchase Order

Gustav Smit [gustav.smit@eurodrain.com](mailto:gustav.smit@eurodrain.com)  
Immanuel Rost [info@eurodrain.com](mailto:info@eurodrain.com)  
Telephone 011 701 2201 / 011 659 8069

### Technical Assistance

#### HEAD OFFICE

Gustav Smit [Gustav.smit@eurodrain.com](mailto:Gustav.smit@eurodrain.com)  
Telephone 011 659 8069

### Accounts

Christelle Schutte [accounts@eurodrain.com](mailto:accounts@eurodrain.com)  
Telephone 011 701 2223

Prices Valid Until Further notice. Or until stock last.  
All EuroDrain Technology (Pty.) Ltd. Terms and conditions Apply. E & OE



[info@eurodrain.com](mailto:info@eurodrain.com)  
[gustav.smit@eurodrain.com](mailto:gustav.smit@eurodrain.com)



011 659 8069



083 770 2269 / 072 238 0579



[www.eurodrain.co.za](http://www.eurodrain.co.za)



Unit 1 Lanseria Center  
Pelindaba Road (R512)  
Lanseria, 1739  
Gauteng  
South Africa



**1 Backwater Valves**

**2 Lifting Stations**

**3 Drains/Channels**

**4 Separators**

**5 Wastewater Treatment Solution**

**6 Individual Solution**



**EDT** eurodrain  
technology

**KESSEL**



info@eurodrain.com  
gustav.smit@eurodrain.com



011 659 8069



083 770 2269 / 072 238 0579



www.eurodrain.co.za



Unit 1 Lanseria Center  
Pelindaba Road (R512)  
Lanseria, 1739  
Gauteng  
South Africa